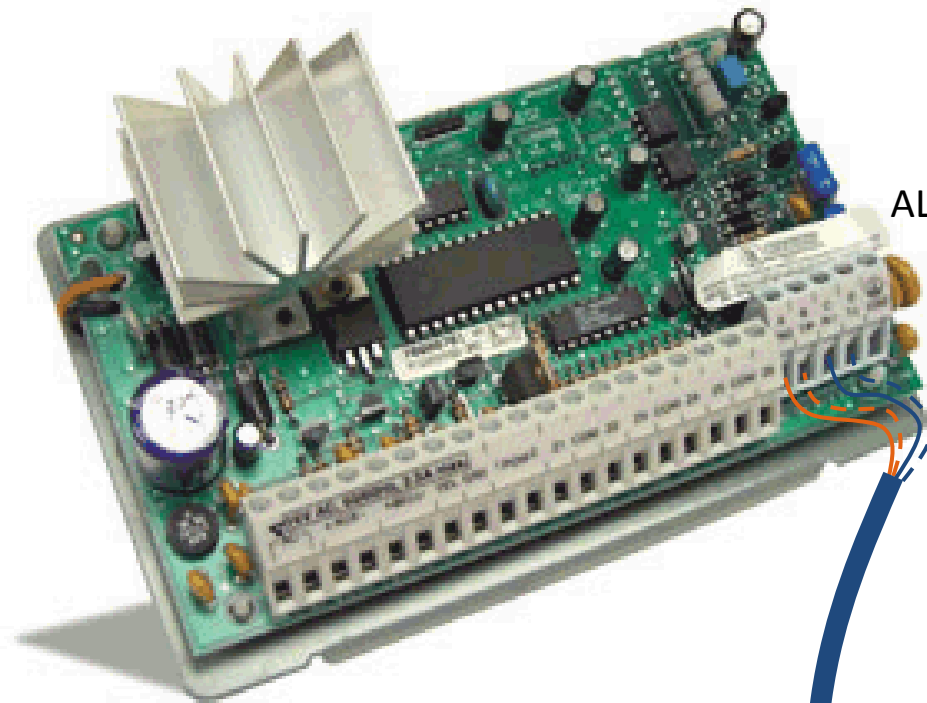
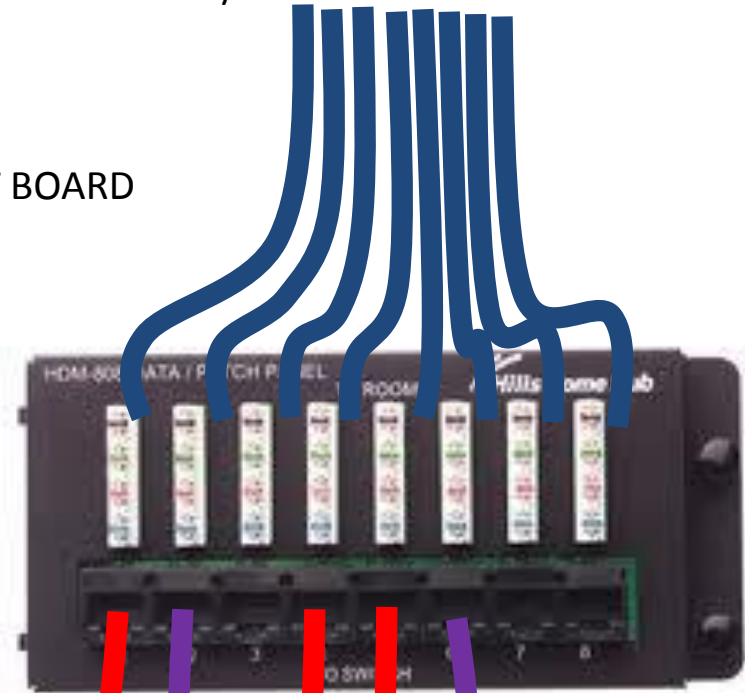


HOME NETWORKING CONFIGURATION



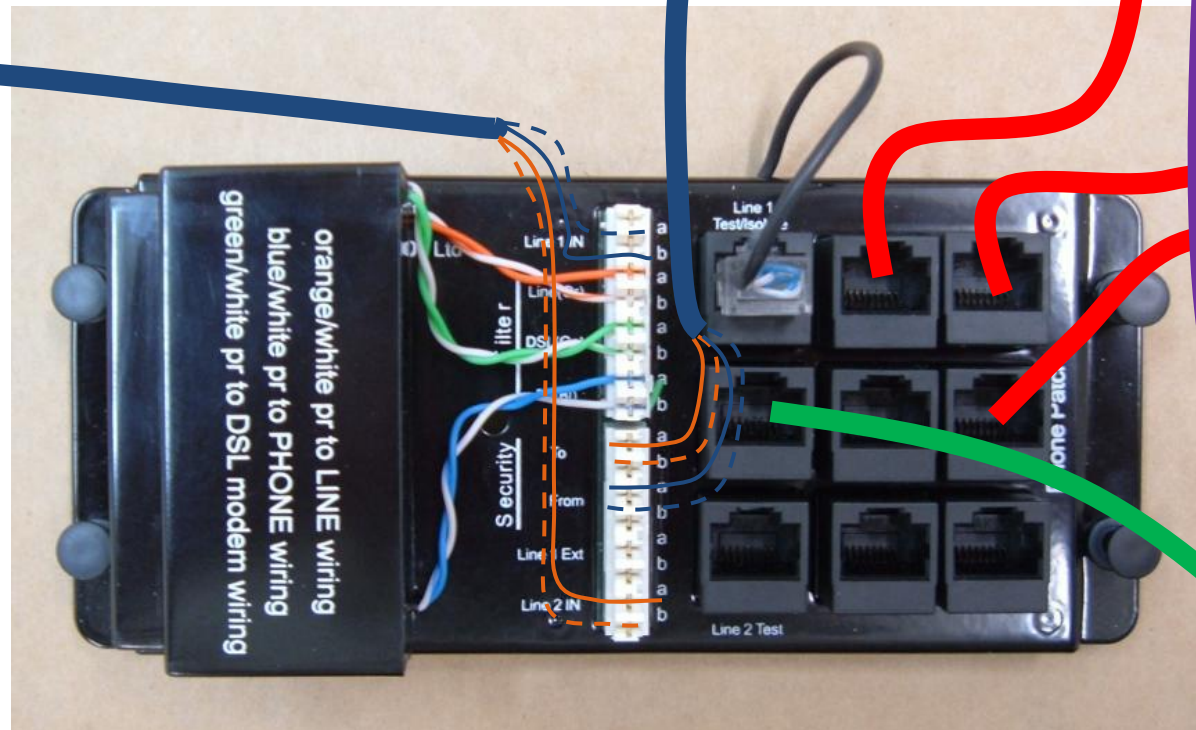
ALARM CIRCUIT BOARD

CAT 5/ CAT 6 WIRING TO RJ45 OUTLETS

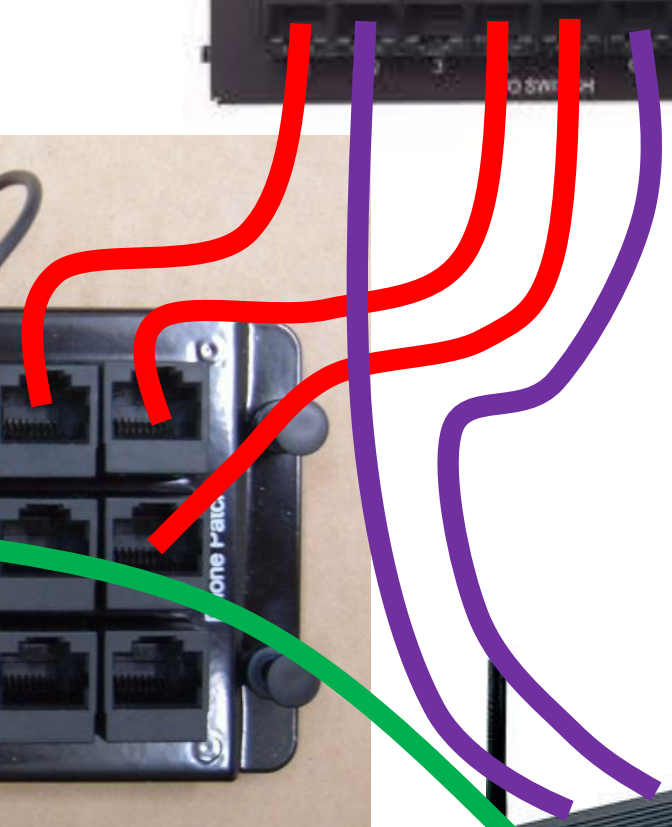


PATCH PANEL

INCOMING PHONE LINE

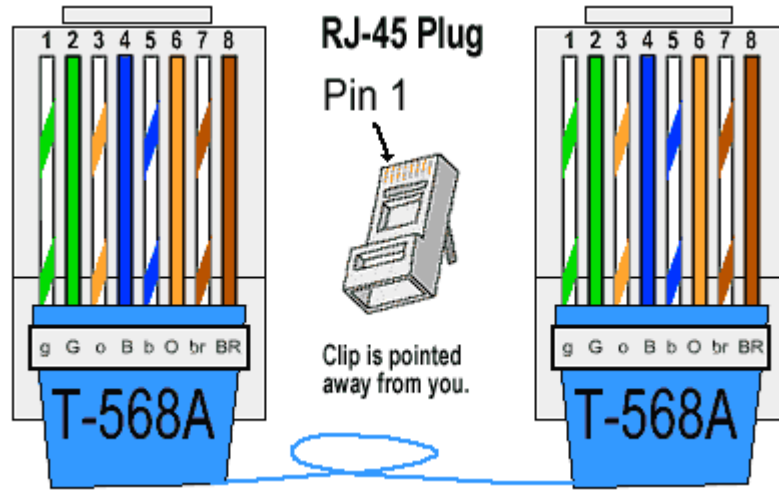


SIGNET ST2206 RJ45 bridged telephone module



MODEM

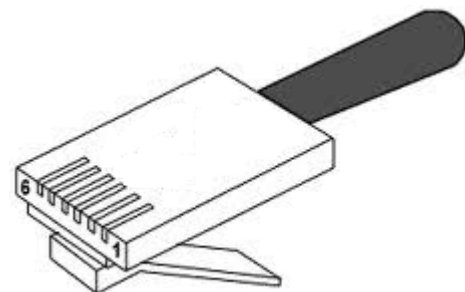
RJ45 and RJ 12 CONFIGURATION



RJ45 A Spec Pin Layout

When crimping down connector, ensure all cable ends are fully pushed in the connector and the outer blue sheath of the cat 5 cable is crimped under the cord grip.

Also ensure if you are using solid core cable use appropriate solid core crimps and when using stranded cable use stranded type crimps.



RJ11 / RJ12 Plug

When using RJ45 outlets for phones we either need to cut the standard BT connector off the customers phone and crimp on a new RJ11 or RJ12 plug on their phone (using the 2 centre cores on the plug) or supply a BT – RJ45 adaptor for them to use.



BT – RJ45 Adaptor